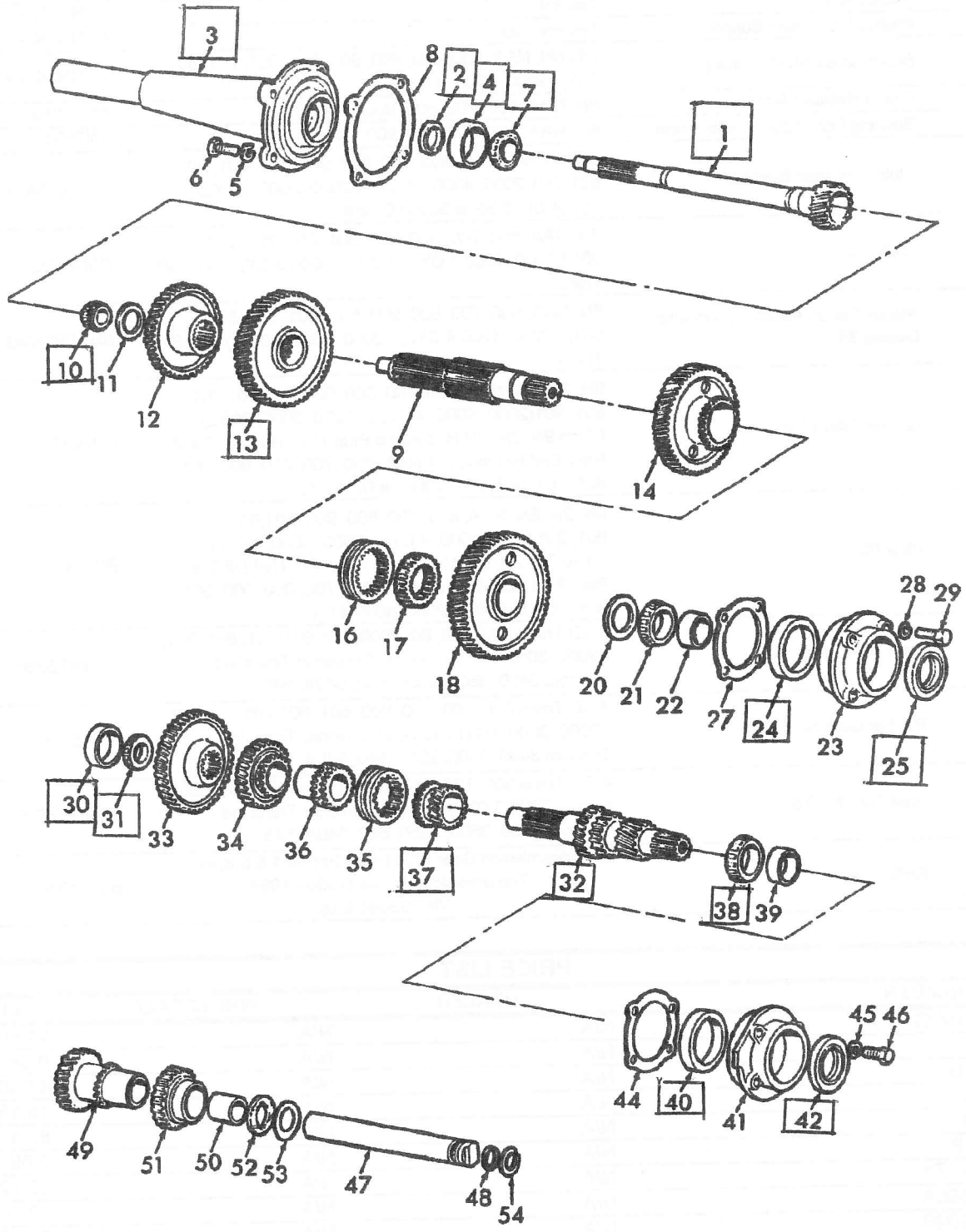


4 SPEED TRANSMISSION PARTS 1965-70

3 CYL 2000, 3000, 3400, 3500



4 SPEED TRANSMISSION PARTS 1965-70

3 CYL 2000,3000,3400,3500

FIGURE	DESCRIPTION	APPLICATION	PART NUMBER
1	Input Shaft	22.62", Lg 15 Sp on Clutch,1965-70 3 Cyl - 4Sp Only	C5NN7017B
2	Front Input Shaft	1965-70,4 Sp Manual Transmission	8N7052A2
3	Support for Clutch Release	1965-70,4 Sp - 3 Cyl Manual Transmission	C5NN7A284B
4	Bearing Cup for Clutch Support	2 7/8" OD,1965-70,3 Cyl - 4 Sp	9N7067
7	Bearing Input Shaft	1 3/8: ID, 31/32" Wide, 1965-70 3 Cyl - 4 Sp Transmission	9N7066
10	Bearing / Back of Input Shaft	1965-70, 4 Sp - 3 Cyl	9N7120
13	Second Gear	56 Teeth,1965-70,3 Cyl - 4 Sp	B9NN7A381B
21	Output Shaft Bearing	1965-70, 3 Cyl - 4 Sp Transmission	NCA7066A
24	Bearing Cup for Output Shaft	1965-70, 3 Cyl - 4 Sp Transmission	NCA7067A
25	Seal for Output Shaft	1965-70, 3 Cyl - 4 Sp Transmission	D6NN7R240A
30	Bearing Cup Front Countershaft	1965-70, 3 Cyl - 4 Sp Transmission 2 7/8" OD	9N7067
31	Bearing for Front Countershaft	1 3/8" ID, 31/32" Wide,1965-70 3 Cyl - 4 Sp Transmission	9N7066
32	Countershaft Assy w / Trans PTO, OD Less PTO	1965-70, 3 Cyl - 4 Sp	C5NN7N109A
37	Countershaft Gear	1965-70, 3 Cyl - 4 Sp	B9NN7114A
38	Bearing for Rear Countershaft	1 3/8" Id x 31/32" Wide 70, 3 Cyl - 4 Sp	1965-9N7066
40	Bearing Cup for Rear Countershaft	2 7/8" OD,1965-70,3 Cyl - 4 Sp	9N7067
42	Oil Seal for Rear of Countershaft	1965-70, 3 Cyl - 4 Sp	D6NN7R240A