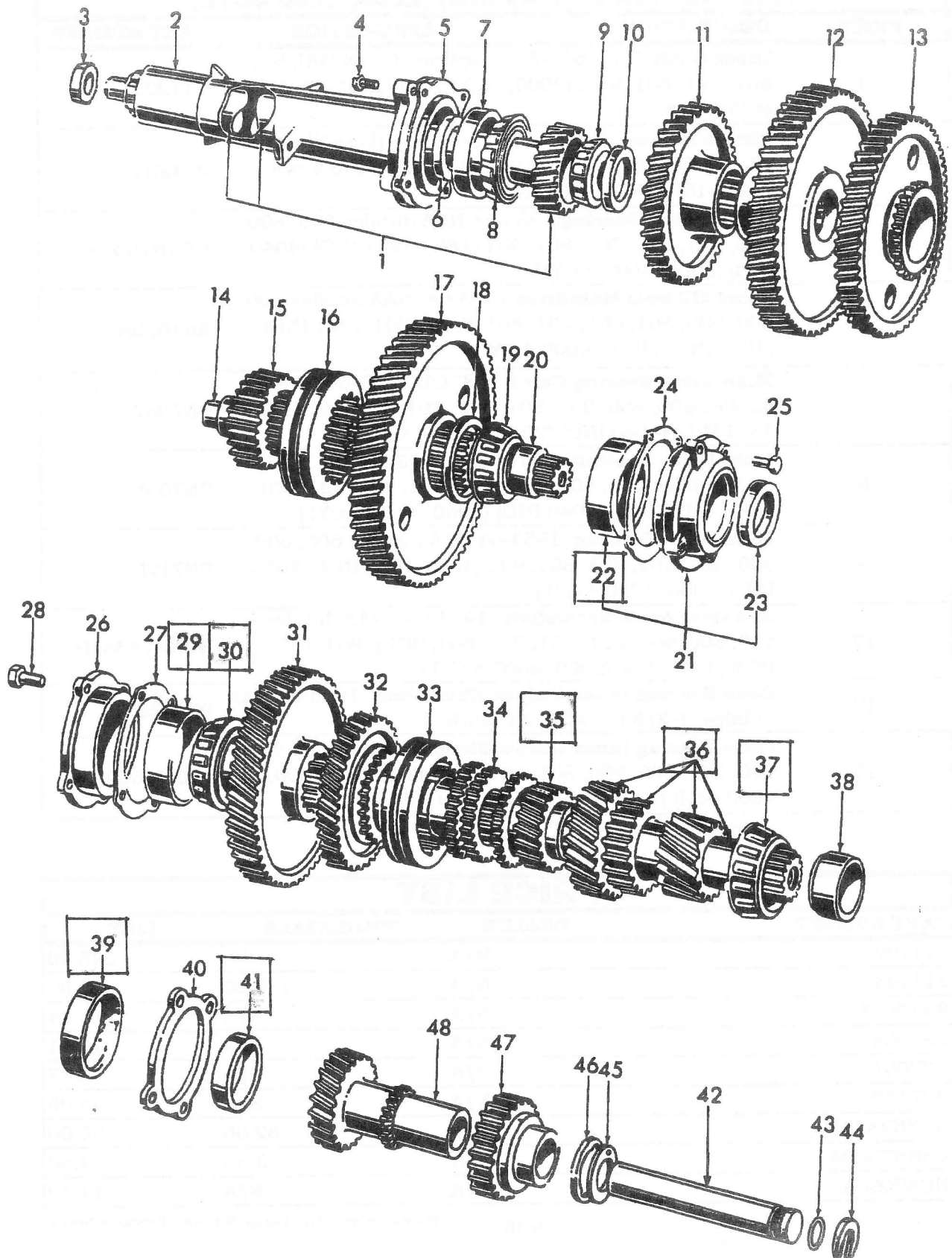


# 4 SPEED TRANSMISSION PARTS 1953-64

NAA JUBILEE 600, 800, 900, 501, 601, 701, 801, 901

(1801-1871 IND) (4040 IND) (2000, 4000 4CYL)



## 4 SPEED TRANSMISSION PARTS 1953-64

**NAA JUBILEE 600, 800, 900, 501, 601, 701, 801, 901**

**(1801-1871 IND) (4040 IND) (2000, 4000 4CYL)**

FIGURE	DESCRIPTION	APPLICATION	PART NUMBER
1	<b>Input Shaft</b> 1958-64 4Sp 15 spline 16 7/8"OAL 501, 601, 701, 801, 901, (2000, 4000 4cyl) (1801-1871 IND) (4030 IND)		311203
2	<b>Clutch Release Support</b> 1958-64 4Sp (Less Sherman Hi- LO) 501, 604, 701, 801, 901 (2000, 4000 4 cyl) (1801-1807 IND) (4030 IND)		311202
3	<b>Clutch Pilot Bearing</b> 1953-64 NAA Jubilee 600, 800, 900, 501, 601, 701, 801, 901 (1801-1871 IND) (4040 IND) (2000, 4000 4 CYL)		C5NN7600A
6	<b>Front Oil Seal Maindrive</b> 1953-64 NAA Jubilee 600, 800, 900, 501, 601, 701, 801, 901 (1801-1871 IND) (4040 IND) (2000, 4000 4 CYL)		8N7052A
7	<b>Main Drive Bearing Cup</b> 2 7/8" OD 1953-64 NAA Jubilee 600, 800, 900, 501, 601, 701, 801, 901 (1801-1871 IND) (4040 IND) (2000, 4000 4 CYL)		9N7067
8	<b>Main Drive Bearing</b> 1 3/8" Id x 31/32 width 1953-64 NAA Jubilee 600, 800, 900, 501, 601, 701, 801, 901 (1801-1871 IND) (4040 IND) (2000, 4000 4 CYL)		9N7066
9	<b>Main Shaft Bearing</b> 1953-64 NAA Jubilee 600, 800, 900, 501, 601, 701, 801, 901 (1801-1871 IND) (4040 IND) (2000, 4000 4 CYL)		9N7120
12	<b>2nd Gear on Countershaft</b> 1953-64 NAA Jubilee 600, 800, 900, 501, 601, 701, 801, 901 (1801-1871 IND) (4040 IND) (2000, 4000 4 CYL)		B9NN7A381B
19	<b>Cone Bearing Inner Output Shaft Rear</b> 1953-64 NAA Jubilee 1-3/8 ID" x 31/32 width		9N7066
19	<b>Cone Bearing Inner Output Shaft Rear</b> 1955-64 4sp 600, 700, 800, 900, 501, 601, 701, 801, 901 (2000, 4000 4cyl) (1801-1871 IND) (4040 IND)		NCA7066A
22	<b>Bearing Cup for Output Bearing</b> 2 7/8 OD 1953-54 NAA Jubilee		9N7067
22	<b>Bearing Cup for Output Bearing</b> 1955-64 4 SP 600, 700, 800, 501, 601, 701, 801, 901, (2000, 4000 4Cyl) (1801-1871 IND) (4040 IND)		NCA7067A
29	<b>Bearing Cup Front Countershaft</b> 2 7/8 OD 1953-64 NAA Jubilee 600, 800, 900, 501, 601, 701, 801, 901 (1801-1871 IND) (4040 IND) (2000, 4000 4 CYL)		9N7067
30	<b>Cone Bearing Inner Front Countershaft</b> 1-3/8 ID 31/32 wide 1953-64 NAA Jubilee 600, 800, 900, 501, 601, 701, 801, 901 (1801-1871 IND) (4040 IND) (2000, 4000 4 CYL)		9N7066

35	<b>Second Speed Gear for Countershaft</b> 1953-64 NAA Jubilee 600, 800, 900, 501, 601, 701, 801, 901 (1801-1871 IND) (4040 IND) (2000, 4000 4 CYL)	B9NN7114A
36	<b>Countershaft 4Sp</b> 1953-54 NAA and Jubilee 12 1/2 OAL	NAA7111C
36	<b>Countershaft 4Sp</b> 1955-64 600, 700, 800, 900, 501, 601, 701, 801, 901 (2000, 4000 4Cyl) (1801-1871 IND) (4040 IND)	C5NN7N109A
37	<b>Cone Bearing Rear Countershaft</b> 1 3/8 ID 31/32 wide 1953-64 NAA Jubilee 600, 800, 900, 501, 601, 701, 801, 901 (1801-1871 IND) (4040 IND) (2000, 4000 4 CYL)	9N7066
39	<b>Bearing Cup Rear Countershaft</b> 2 7/8 OD 1953-64 NAA Jubilee 600, 800, 900, 501, 601, 701, 801, 901 (1801-1871 IND) (4040 IND) (2000, 4000 4 CYL)	9N7067
41	<b>Seal Rear Output Shaft</b> 1953-64 NAA Jubilee 600, 800, 900, 501, 601, 701, 801, 901 (1801-1871 IND) (4040 IND) (2000, 4000 4 CYL)	D6NN7R240A