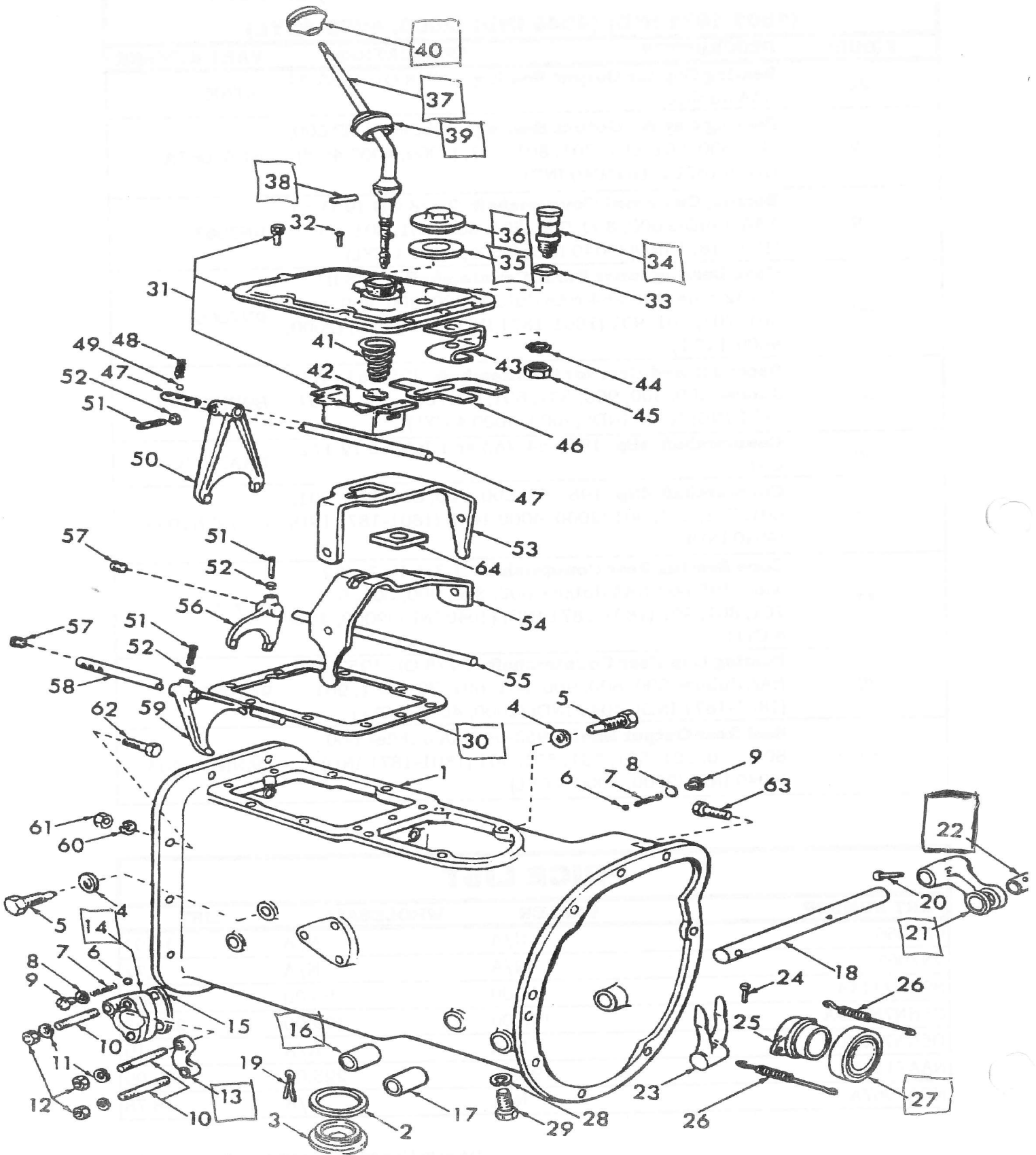


4 SPEED SHIFT TOP AND CASE RELATED PARTS

8N, NAA, 600, 700, 800, 900, 501, 601, 701, 801, 901

(2000, 4000, 4 CYL) (2000, 3000, 3 CYL)



**4 SPEED SHIFT TOP AND CASE RELATED PARTS
8N, NAA, 600, 700, 800, 900, 501, 601, 701, 801, 901
(2000, 4000,4 CYL) (2000,3000,3 CYL)**

FIGURE	DESCRIPTION	APPLICATION	PART NUMBER
13	Radius Rod Cap	Fits 8N - 3000	E0NN3N406BA
14	Radius Rod Lower Support	Fits 8N - 3000	E0NN3N442BA
16	Brake Cross Shaft Bushing	Fits 8N, NAA, 600, 700, 800, 900, 501, 601, 701, 801, 901, (2000, 4000, 4 CYL)	C0NN2477A
21	Clutch Release Arm	8N, NAA, 600, 700, 800, 900 - 1948 - 57	8N7511B
22	Bushing For Clutch Release Arm	8N, NAA, 600, 700, 800, 900 - 1948 - 57	8N7533
27	Clutch Release Bearing	9N, 2N, 8N, NAA, 600, 700, 800, 900, 501, 601, 701, 801, 901,2000, 4000 - 4 CYL (2000, 3000, 3CYL) 3SP,4 SP, 5 SP w/Single Clutch	C0NN7580A
30	Shift Top Gasket	8N, NAA, 600, 700, 800, 900, 501, 601, 701, 801, 901 (2000, 4000 4 CYL) (2000, 3000 3 CYL) w / 4SP Trans	D5NN7223A
34	Starter Switch Assembly Includes Gasket 33	8N, NAA, 600, 700, 800, 900, 501, 601, 701, 801, 901, (2000, 4000 4 CYL) (2000, 3000 3 CYL) w / 4SP Trans	8N11500WG
35	Gasket Filler Plug	9N, 2N, 8N, NAA, 600, 700, 800, 900, 501 601 701, 801, 901(2000, 4000, 4 CYL) (2000, 3000, 3CYL) (Also 9N, 2N, 8N Hyd Pump Plug) Fits Hyd Lift Top & Rear End Housing For NAA, 600, 700, 800, 900, 501, 601, 701, 801, 901, 2000, 4000 4 CYL	8N7011
36	Filler Plug	9N, 2N, 8N, NAA, 600, 700, 800, 900, 501,601,701, 801, 901,2000, 4000, 4 CYL (2000, 3000, 3CYL) (Also 9N, 2N, 8N, Hyd Pump Plug) Fits Hyd Lift Top & Rear End Housing For NAA, 600, 700, 800, 900, 501, 601, 701, 801, 901, 2000, 4000 4 CYL	9N7010
37	Gear Shift Lever	4 SD Trans 600, 700, 800, 900, 501,601,701, 801, 901, (2000, 3000 3 CYL) Torque Converter Trans Ind Tractors 3400, 3500, 3550, 540, 540A, 545	C5NN7202B
38	Pin For Gear Shift Lever	4 SD Trans 600, 700, 800, 900, 501, 601,701,801, 901, (2000, 3000 3 CYL) Torque Converter Trans Ind Tractors 3400, 3500, 3550, 540, 540A, 545	9N7221B
39	Boot For Shift Top	4 SD Trans 600, 700, 800, 900, 501, 601,701,801, 901, (2000, 3000 3 CYL) Torque Converter Trans Ind Tractors 3400, 3500, 3550, 540, 540A, 545	C5NN7277C
40	Shifter Knob	Transmission Gear Shift Lever For All 4 & 5 Speed Transmission Models (1950 - 1964) S/N 252844 & up	BB7213A